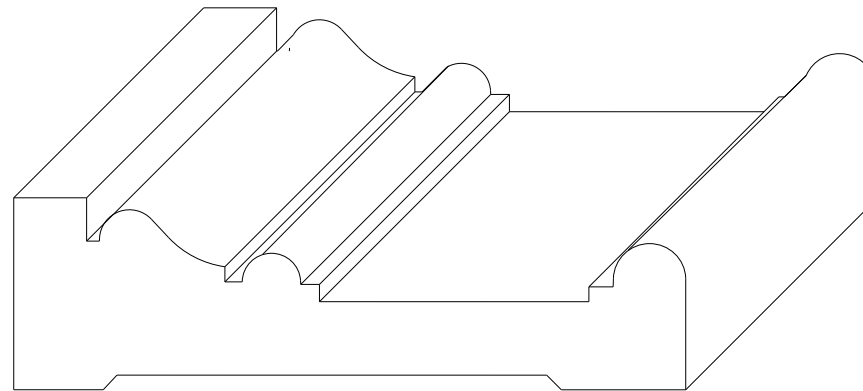


# CASING PROFILE



Category:	Profile #:	Dimensions:	Specie:	Revised:
CASING	HHH 2040	1" x 3 1/2"		
Customer:	Approval Signature:		Notes:	